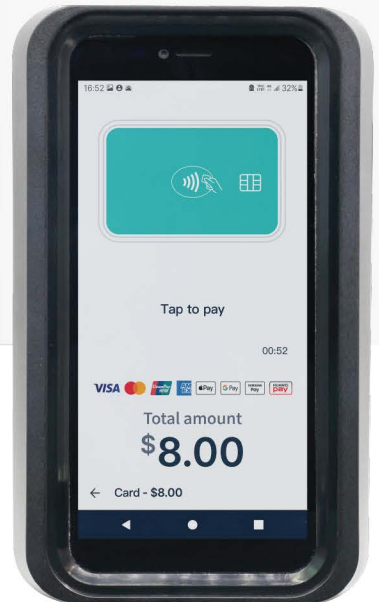




Self-service
payment
solution
you can count on



tap-on-screen



QR code



NFC
Contactless



Android OS
11 GO



GMS Certified



5.45" FWVGA
IPS capacitive
multi-touch
display

tap-POS

All in one **Self-Service Terminal**

Complied with EVA and IP65 standards, tap-POS Self-Service Terminal comes with a sleek design that is fully protected against dust, airborne particles and water jets.

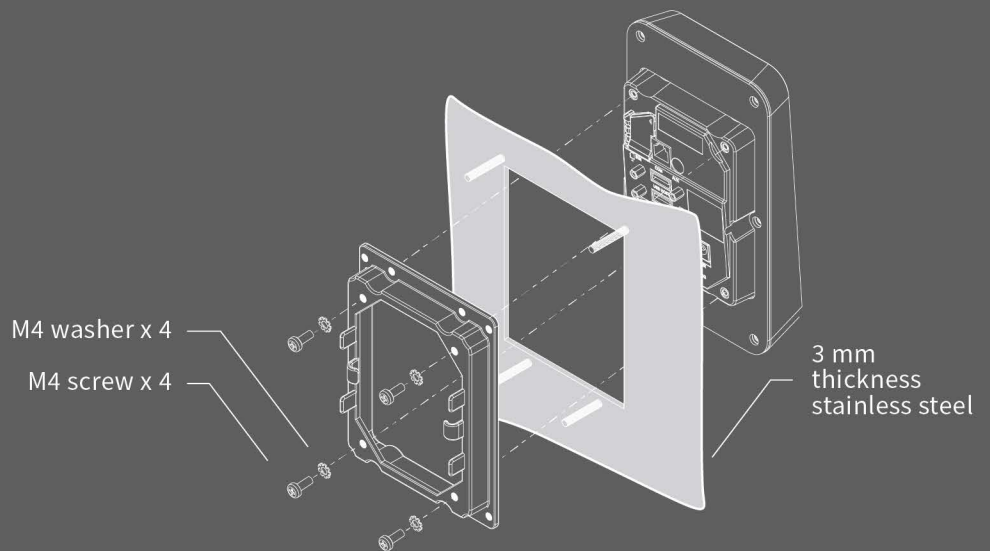
Also built to resist vandalism and for the highest security, this user-friendly and robust set is the optimal and reliable solution for various self-service scenes such as vending machine, EV charging, retail, parking and so on.

CE GMS IP65 EVA

Certification

Panel Cutout

& screw stud requirement (for EVA standard)



Specifications

Processor	MT6761 Quad-core A53@ 2.0GHz
Operating system	Android 11 Go edition
Memory	1GB RAM, 16GB Flash; 2GB RAM, 32GB Flash (Optional)
Extended memory	Micro SD card x 1
Display	5.45" FWVGA IPS capacitive multi-touch
Camera	2MP FF rear camera with flash light, 0.3MP pixels FF front camera
NFC	ISO14443 A/B and FeliCa, front-top LCD side
Sensor	Proximity sensor near front camera, G-sensor, E-compass
Card slots	Nano SIM x 1
Connectivity	4G-LTE/3G/2G, WIFI/Bluetooth®
Battery	3.8V 2500mAh replaceable battery
Operation temperature	0°C - 45°C
Storage temperature	-25°C - 70°C
Overall dimension	168(L) X 102(W) X 60(D) mm
Dimension outside vending machine	168(L) X 102(W) X 31(D) mm
Weight	430g (included tap-POS)
Installation cutout	108(L) X 86(W) mm

*Specifications is subject to change without prior notice.



SPECTRA Merchant Services Ltd.

Units 1301-9 & 19-20, Tower II, Grand Century Place, 193 Prince Edward Road West, Kowloon, Hong Kong
Tel (852) 2319 2918 Fax (852) 2319 2631 www.SPECTRA-MS.com

Ref.: tap-POS-SSK-LFENHK20230724

